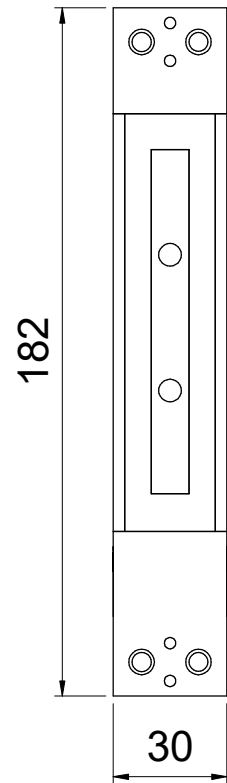
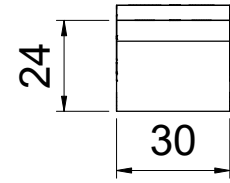


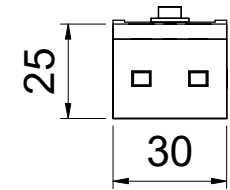
01 **Top View**
1:2



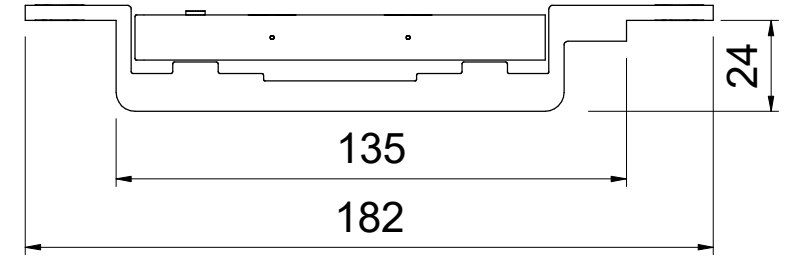
02 **Top View**
1:2



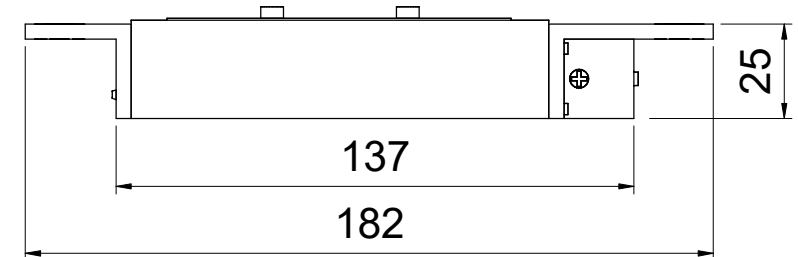
03 **Front View**
1:2



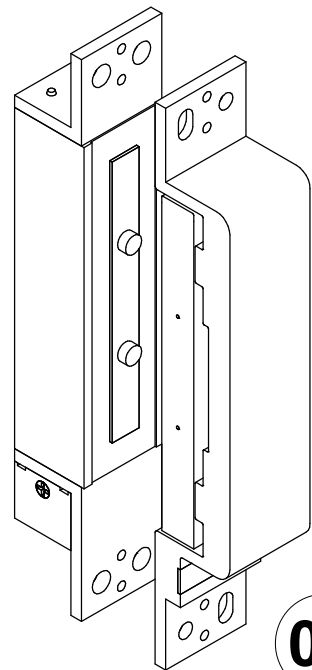
04 **Front View**
1:2



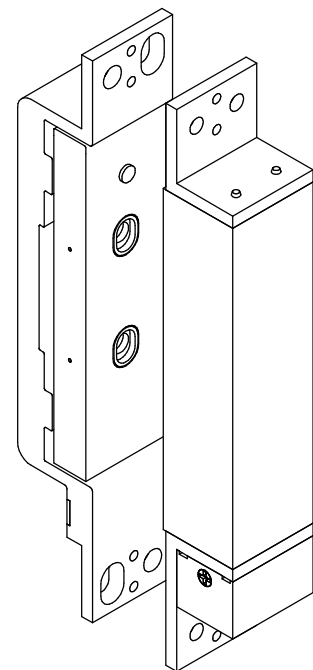
05 **Side View**
1:2



06 **Side View**
1:2




07 **3D View**



08 **3D View 1**

Mortice Electromagnetic Micro Shearlock			
Item	Description	Material	Finish
KEM-FR-SL500	Mortice Electromagnetic Micro Shearlock, 2600lbs Holding Force. Fire Rated when used with Intumescent Provided	Steel	Black

Rev	Date	Description	Initial
Title : FR-SL500			
Contract : KCC Group			
Scales are as shown, original drawing size A3			
		Creator : EG	
		Checked by : Ian	
		Scale : N.T.S	
		First issue : 19/10/2023	
		Project No :	
DRG No :		Rev	